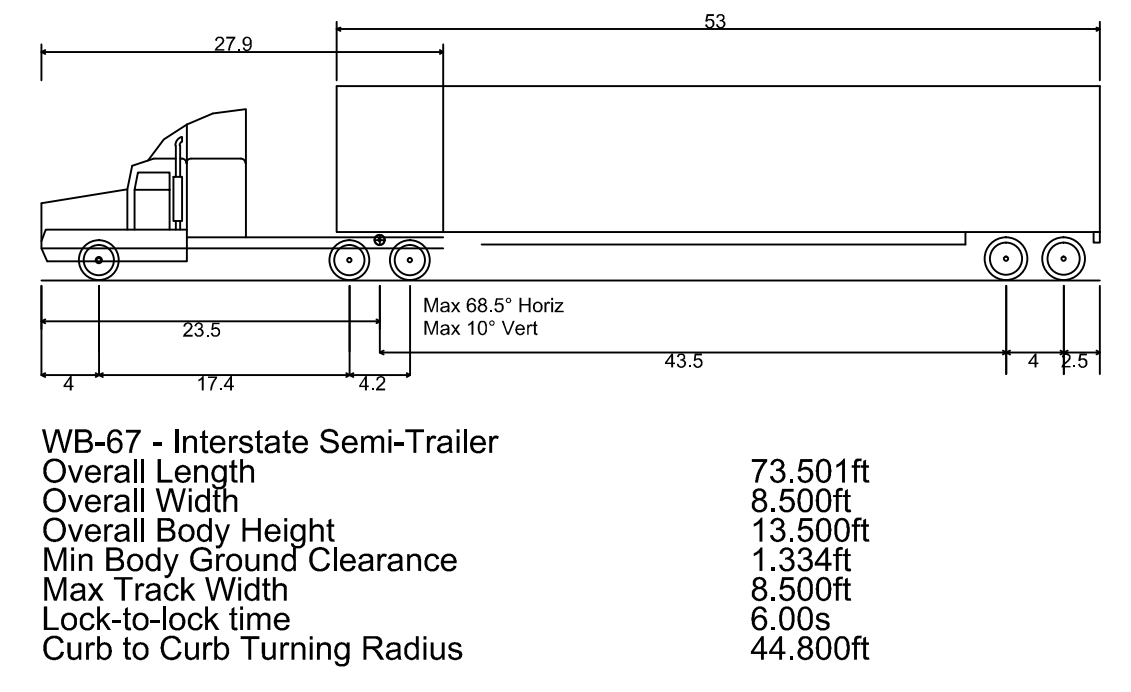




VICINITY MAP
SCALE: NONE

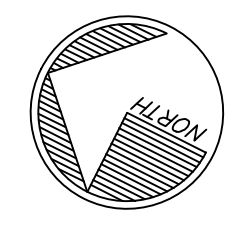


WB-67 - Interstate Semi-Trailer
 Overall Length 8,500ft
 Overall Width 8,500ft
 Overall Body Height 13,500ft
 Min Body Ground Clearance 1,334ft
 Max Track Width 8,500ft
 Lock-to-lock time 6.00s
 Curb to Curb Turning Radius 44,800ft

SITE ANALYSIS	
ACADEMY SPORTS	62,943 S.F.
MAJOR A - HOBBY LOBBY	55,000 S.F.
MAJOR B - HOMEGOODS	20,000 S.F.
MAJOR C - FIVE BELOW	8,000 S.F.
MAJOR D - BURLINGTON	40,000 S.F.
TOTAL RETAIL	185,943 S.F.
RETAIL PARKING	717 SPACES
RETAIL PARKING RATIO	3.86 SP/MSF
PROVINO'S	6,375 S.F.
PEACHTREE DINER	5,500 S.F.
TOTAL RESTAURANT	11,875 S.F.
RESTAURANT PARKING	151 SPACES
RESTAURANT PARKING RATIO	12.72 SP/MSF
OUTLOT PARCEL 1	1.11± ACRES
OUTLOT PARCEL 2	1.15± ACRES
OUTLOT PARCEL 3	1.35± ACRES
OUTLOT PARCEL 4	1.82± ACRES
TOTAL SITE AREA	36.24± ACRES

SITE PLAN

SCALE: 1" = 60'
 0 60 120 180 FEET



Titleblock, November 01, 2016, 10:24:27am (User: [redacted])
 Project: [redacted]
 User: [redacted]

REVISIONS

NO.	DESCRIPTION